

63-485 CT

Ribbed Side Wall
Matte Top
Continuous Thread
63mm Diameter
485 Thread Profile
Lined or Unlined



OPTIONS

- Available in standard or custom colors
- Low minimum order quantities, safety stock program available
- High speed lining capabilities with a variety of lining materials including pressure sensitive and heat induction
- Round or tri-tab easy-open liners
- Lead time 2-3 weeks

SHIPPING INFORMATION

- Carton quantity: 1,000
- Carton packing: Tumble
- Pallet quantity: 30,000
- Truckload quantity: 900,000
- Carton weight (lbs): 18
- Pallet weight (lbs): 473
- Carton size: 24x16x14"
- Pallet size: 40x48x91"
- Freight class: 150

STANDARD OR CUSTOM COLORS



PMS 185



PMS 3435



PMS 2748



PMS 2685



PMS 1665



PMS 10388

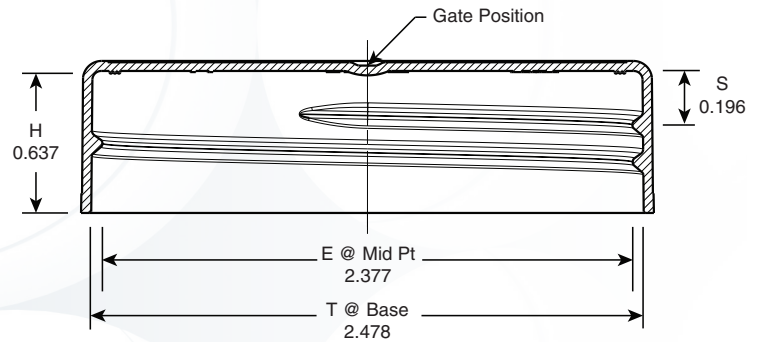
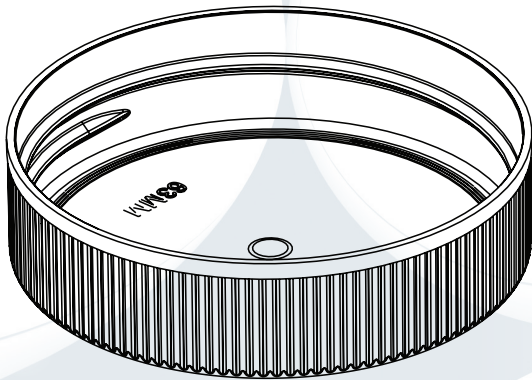
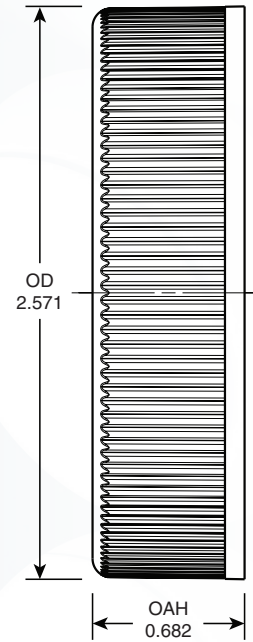
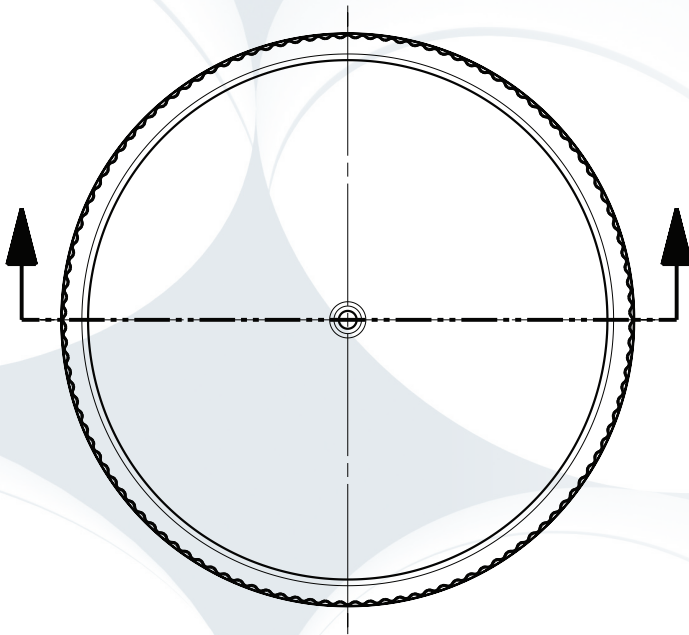



BLACK



WHITE

63-485 CT



Inch tolerances (unless specified) General: +/- .010 "/>	 6020 West Ridge Road Erie, Pennsylvania 16506 (814) 838-7914 Fax (814) 838-7411	
Number of turns: 1.25		
Pitch (TPI): 6	63-485 CT	
Material: PP	Erie Molded Plastics, Inc.	
This drawing is the exclusive property of Erie Molded Plastics, Inc. and may not be reproduced without the expressed written consent of Erie Molded Plastics, Inc.	Date: June 22, 2015	Sheet: 01 of 01